

Clamping Pieces SXT-CL

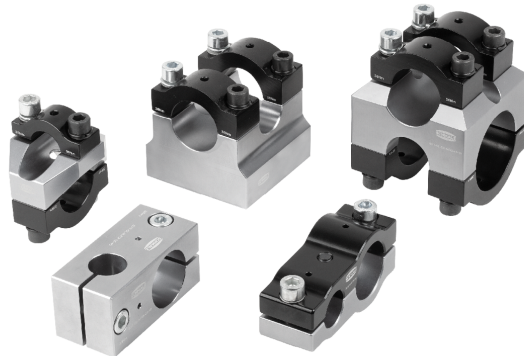
Pipe clamps and adapters for various diameters



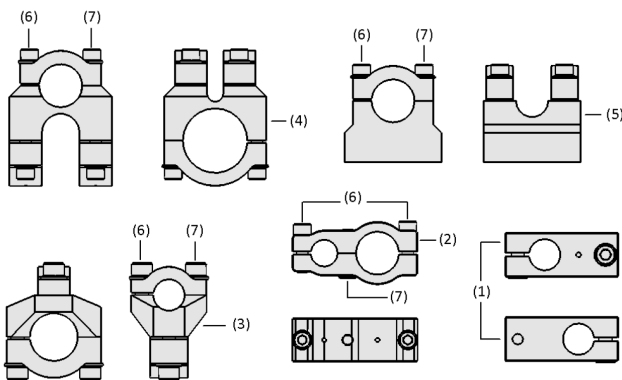
Suitability for industry specific applications

Application

- Clamps for connecting pipes and vacuum and tooling components for a flexible, modular and lightweight system
- Suitable for all common tooling and quick-change systems for press shops and car body construction
- For highly dynamic processes with maximum output in the automotive industry



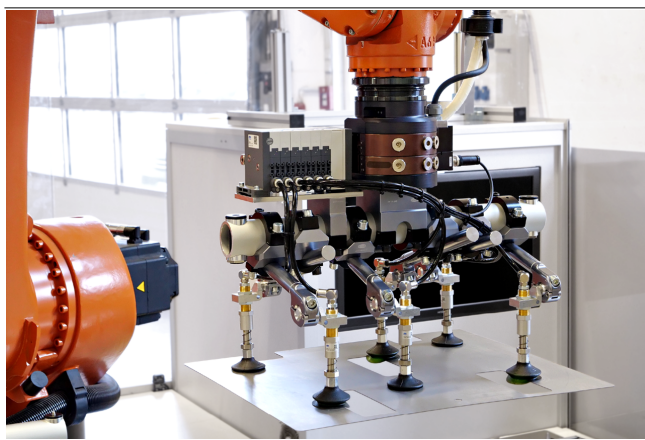
Clamping Pieces SXT-CL



Design

- Crosswise (1, 3, 4) and parallel clamps (2) for connecting pipes
- Can be used as slide-on (silver clamping screws) and clip-on (silver and black clamping screws) versions (6, 7)
- For pipe diameters of 25, 40 and 60 mm (1-5) and with adapters of diameters 1" (25.4 mm), 1.5" (38.1 mm) and 2.5" (63.5 mm)

System design Clamping Pieces SXT-CL



Clamping pieces SXT-CL for assembling a complete tooling for handling formed sheet metal parts

Product highlights

- Durable, lightweight parallel and cross pipe clamps for highly dynamic processes with maximum output quantity
- Simple design and fast assembly due to clear portfolio
- Compatible with common tooling systems (tube diameters 25, 40 and 60 mm; adapters for inch sizes 1" (25.4 mm), 1.5" (38.1 mm) and 2.5" (63.5 mm))

Clamping Pieces SXT-CL

Pipe clamps and adapters for various diameters

Designation code Clamping Pieces SXT-CL

SXT-CL	–	DX	–	FIX	–	40	–	60
1		2		3		4		5

1 – Abbreviated designation

Code	Type
SXT-CL	Clamping pieces

2 – Shape

Code	Clamp design
DX	Double crosswise
P	Parallel
X	Crosswise

3 – Shape

Code	Version
FIX	Rigid
MOD	Modular

4 – Connection 1

Code	Diameter in mm
25	ø 25
40	ø 40
60	ø 60

5 – Connection 2

Code	Diameter in mm
25	ø 25
25.4	1 inch
38.1	1.5 inch
40	ø 40
60	ø 60
63.5	2.5 inch

The clamps SXT-CL are delivered as a ready-to-connect product.

Available accessories: Pipes SXT-RT

Ordering data Clamping Pieces SXT-CL

Type	Part no.
SXT-CL 40 AL	10.07.13.00010
SXT-CL 60 AL	10.07.13.00011
SXT-CL DX MOD 40 40 AL	10.07.13.00122
SXT-CL DX MOD 40 60 AL	10.07.13.00123
SXT-CL DX MOD 60 60 AL	10.07.13.00124
SXT-CL P 25 25 AL	10.07.13.00109
SXT-CL P 25 40 AL	10.07.13.00110
SXT-CL P 40 40 AL	10.07.13.00111
SXT-CL X FIX 25 25 AL	10.07.13.00125
SXT-CL X FIX 25 40 AL	10.07.13.00126
SXT-CL X FIX 40 40 AL	10.07.13.00127
SXT-CL X FIX 40 60 AL	10.07.13.00128
SXT-CL X MOD 25 25 AL	10.07.13.00023
SXT-CL X MOD 25 40 AL	10.07.13.00024
SXT-CL X MOD 25 60 AL	10.07.13.00025
SXT-CL X MOD 40 40 AL	10.07.13.00026
SXT-CL X MOD 40 60 AL	10.07.13.00027
SXT-CL X MOD 60 60 AL	10.07.13.00028
SXT-CL X MOD 25 AL 1IN	10.07.13.00150
SXT-CL X MOD 25 AL 1.5IN	10.07.13.00029
SXT-CL X MOD 25 AL 2.5IN	10.07.13.00030
SXT-CL X MOD 40 AL 1.5IN	10.07.13.00031
SXT-CL X MOD 40 AL 2.5IN	10.07.13.00032

Type	Part no.
SXT-CL-MP D 40 215	10.07.13.00216
SXT-CL-MP D 60 215	10.07.13.00217

Clamping Pieces SXT-CL

Pipe clamps and adapters for various diameters

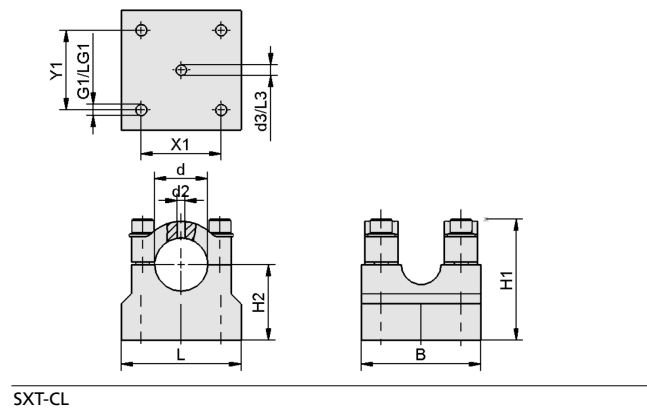
Technical data Clamping Pieces SXT-CL

Type	Weight [g]	Material
SXT-CL 40 AL	1,230	Aluminum
SXT-CL 60 AL	1,590	Aluminum
SXT-CL DX MOD 40 40 AL	970	Aluminum
SXT-CL DX MOD 40 60 AL	1,285	Aluminum
SXT-CL DX MOD 60 60 AL	1,380	Aluminum
SXT-CL P 25 25 AL	355	Aluminum
SXT-CL P 25 40 AL	390	Aluminum
SXT-CL P 40 40 AL	445	Aluminum
SXT-CL X FIX 25 25 AL	215	Aluminum
SXT-CL X FIX 25 40 AL	415	Aluminum
SXT-CL X FIX 40 40 AL	450	Aluminum
SXT-CL X FIX 40 60 AL	1,125	Aluminum
SXT-CL X MOD 25 25 AL	315	Aluminum
SXT-CL X MOD 25 40 AL	415	Aluminum
SXT-CL X MOD 25 60 AL	580	Aluminum
SXT-CL X MOD 25 AL 2.5IN	545	Aluminum
SXT-CL X MOD 40 40 AL	550	Aluminum
SXT-CL X MOD 40 60 AL	640	Aluminum
SXT-CL X MOD 60 60 AL	920	Aluminum
SXT-CL X MOD 25 AL 1IN	315	Aluminum
SXT-CL X MOD 25 AL 1.5IN	430	Aluminum
SXT-CL X MOD 40 AL 1.5IN	570	Aluminum
SXT-CL X MOD 40 AL 2.5IN	655	Aluminum

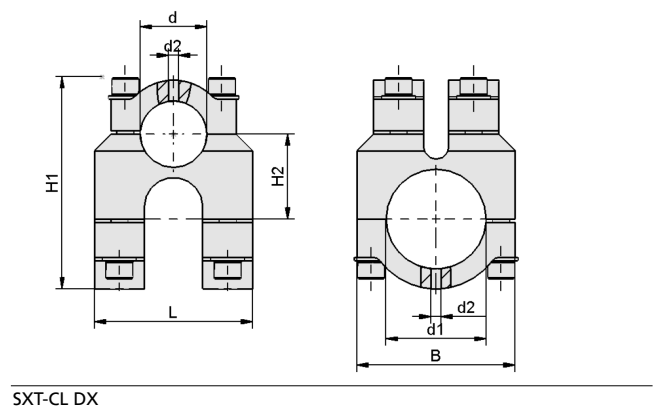
Clamping Pieces SXT-CL

Pipe clamps and adapters for various diameters

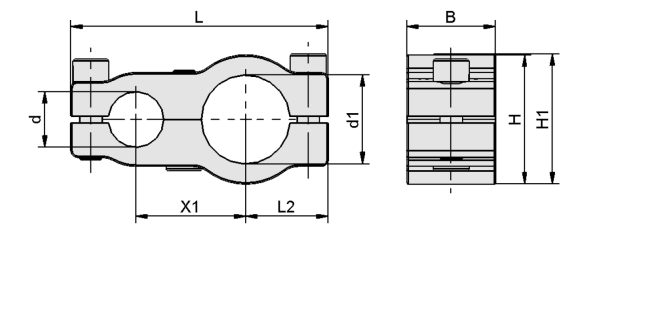
Design data Clamping Pieces SXT-CL



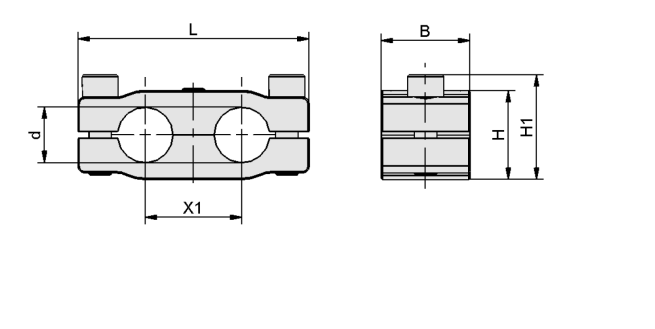
SXT-CL



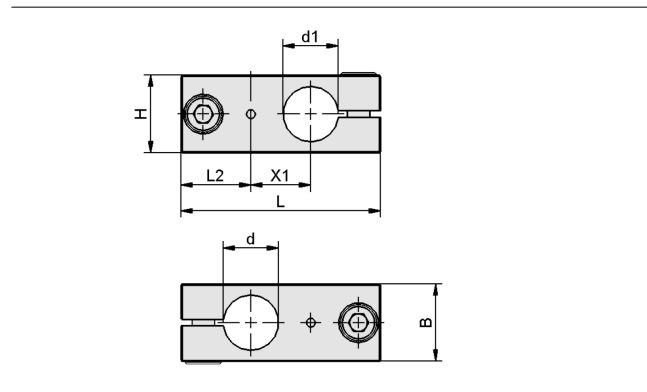
SXT-CL DX



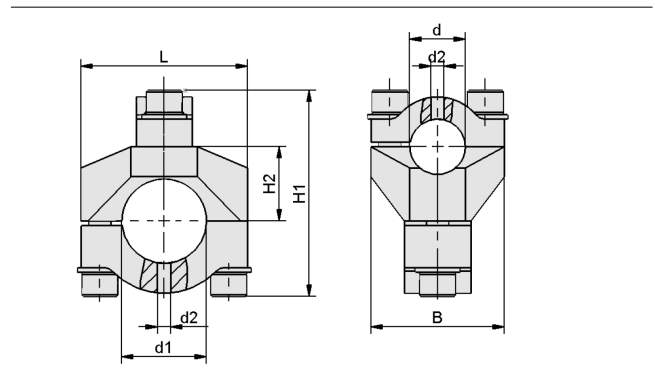
SXT-CL P 25 40



SXT-CL P



SXT-CL X FIX



SXT-CL X MOD

Clamping Pieces SXT-CL

Pipe clamps and adapters for various diameters

Design data Clamping Pieces SXT-CL

Type	B [mm]	d [mm]	d1 [mm]	d2 [mm]	d3 [mm]	G1	H [mm]	H1 [mm]	H2 [mm]	L [mm]	L2 [mm]	L3 [mm]	LG1 [mm]	X1 [mm]	Y1 [mm]
SXT-CL 40 AL	90	40	-	6	8	M10-F	-	91	57.0	90	-	15	24	60	60
SXT-CL 60 AL	90	60	-	6	8	M10-F	-	115	73.0	90	-	15	24	60	60
SXT-CL DX MOD 40 40 AL	75	40	40	6	-	-	-	109	41.0	75	-	-	-	-	-
SXT-CL DX MOD 40 60 AL	95	40	60	6	-	-	-	127	51.0	95	-	-	-	-	-
SXT-CL DX MOD 60 60 AL	95	60	60	6	-	-	-	145	61.0	95	-	-	-	-	-
SXT-CL P 25 25 AL	40	25	25	-	-	-	40	47	-	104	30.3	-	-	44	-
SXT-CL P 25 40 AL	40	25	40	-	-	-	58	59	-	116	37.2	-	-	50	-
SXT-CL P 40 40 AL	40	40	40	-	-	-	58	59	-	130	37.3	-	-	56	-
SXT-CL X FIX 25 25 AL	35	25	25	-	-	-	35	-	-	90	31.5	-	-	27	-
SXT-CL X FIX 25 40 AL	48	25	40	-	-	-	48	-	-	102	30.0	-	-	35	-
SXT-CL X FIX 40 40 AL	48	40	40	-	-	-	48	-	-	115	36.5	-	-	42	-
SXT-CL X FIX 40 60 AL	70	40	60	-	-	-	70	-	-	140	36.5	-	-	54	-
SXT-CL X MOD 25 25 AL	60	25	25	6	-	-	-	78	26.0	60	-	-	-	-	-
SXT-CL X MOD 25 40 AL	60	25	40	6	-	-	-	93	33.5	75	-	-	-	-	-
SXT-CL X MOD 25 60 AL	60	25	60	6	-	-	-	113	45.5	95	-	-	-	-	-
SXT-CL X MOD 40 40 AL	75	40	40	6	-	-	-	109	41.0	75	-	-	-	-	-
SXT-CL X MOD 40 60 AL	75	40	60	6	-	-	-	127	51.0	95	-	-	-	-	-
SXT-CL X MOD 60 60 AL	95	60	60	6	-	-	-	145	61.0	95	-	-	-	-	-
SXT-CL X MOD 25 AL 1IN	60	25	-	6	-	-	-	78	26.0	60	-	-	-	-	-
SXT-CL X MOD 25 AL 1.5IN	60	25	-	6	-	-	-	93	33.5	75	-	-	-	-	-

Clamping Pieces SXT-CL

Pipe clamps and adapters for various diameters

Type	B [mm]	d [mm]	d1 [mm]	d2 [mm]	d3 [mm]	G1	H [mm]	H1 [mm]	H2 [mm]	L [mm]	L2 [mm]	L3 [mm]	LG1 [mm]	X1 [mm]	Y1 [mm]
SXT-CL X MOD 25 AL 2.5IN	60	25	-	6	-	-	-	119	48.0	95	-	-	-	-	-
SXT-CL X MOD 40 AL 1.5IN	75	40	-	6	-	-	-	109	41.0	75	-	-	-	-	-
SXT-CL X MOD 40 AL 2.5IN	75	40	-	6	-	-	-	134	55.0	95	-	-	-	-	-

Multimedia product presentation

Medium

Product video

Link

<https://vimeo.com/408410930>